

Drawings are based on survey data and may not accurately represent what is physically present.

Do not scale from this drawing. All dimensions are to be verified on site before proceeding with the work.

All dimensions are in millimeters unless noted otherwise.

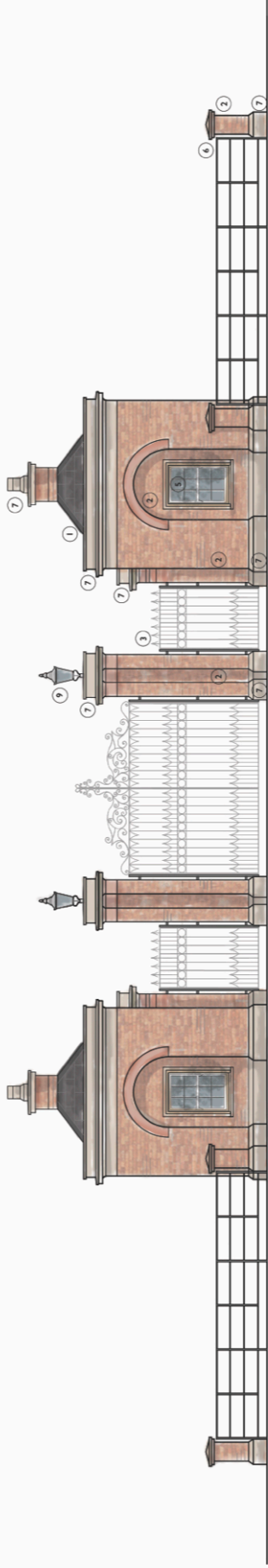
Purcell shall be notified in writing of any discrepancies.

Key Plan  
not to scale

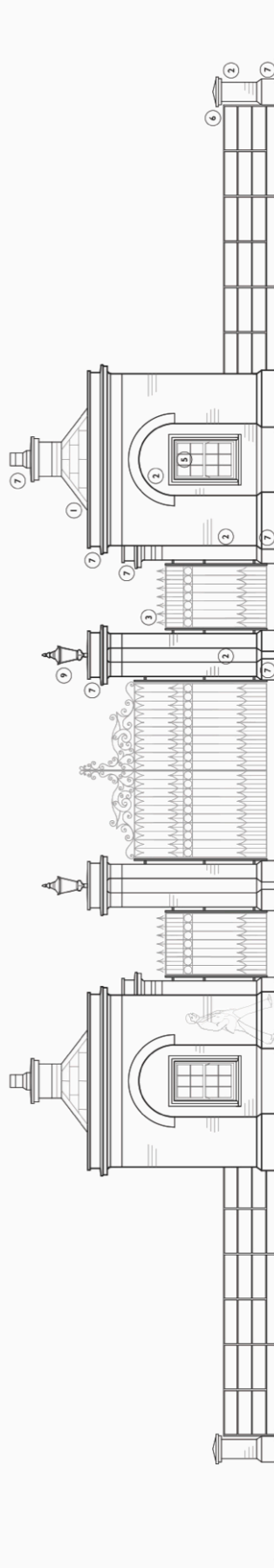
**NOTE**

**Materials**

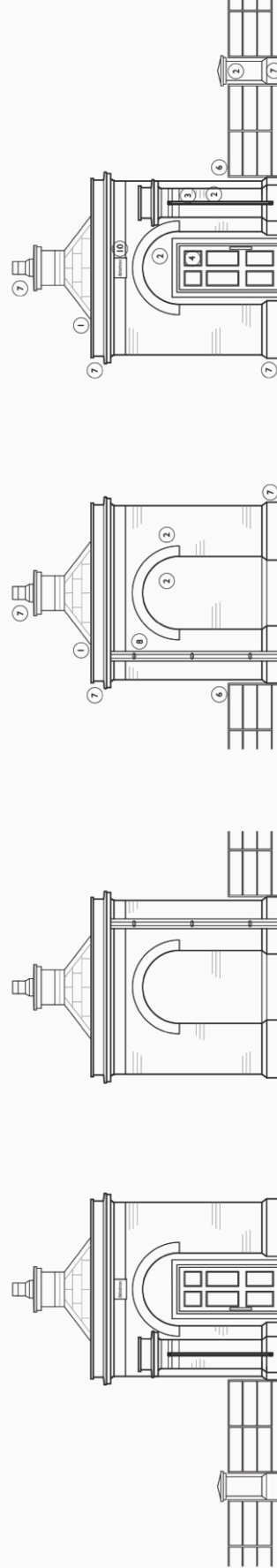
- 1 Roof - Westmoreland slate
- 2 Brick wall/arch/pier etc. colour, bond and lime mortar pointing to match existing brickwork of the hall's Lewis Wyatt wing
- 3 Gate - Wrought iron gates (design to be confirmed)
- 4 Door - Six panelled hardwood raised and fielded door
- 5 Window - Painted hardwood timber sash
- 6 Fencing - Metal estate rail fencing
- 7 Sandstone (window surround/plinth/banding/coping/blocking course/chimney etc)
- 8 Rainwater goods - Cast iron
- 9 External light - Cast iron
- 10 Dastestone (detail to be confirmed)



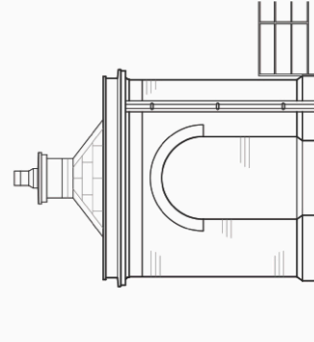
**1 Proposed Front Elevation**  
**2202 1:100 @ A3**



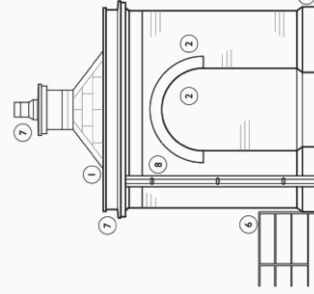
**2 Proposed Rear Elevation**  
**2202 1:100 @ A3**



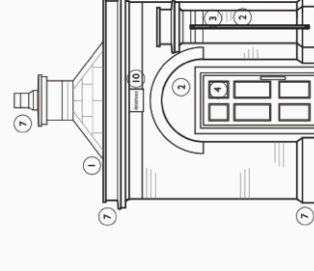
**3 Proposed Side Elevation 1**  
**2202 1:100 @ A3**



**4 Proposed Side Elevation 2**  
**2202 1:100 @ A3**



**5 Proposed Side Elevation 3**  
**2202 1:100 @ A3**



**6 Proposed Side Elevation 4**  
**2202 1:100 @ A3**

REV	DATE	BY	CHK	DESCRIPTION

CLIENT  
**Colin Shenton**

PROJECT  
**Cuerden Hall, Chorley**

JOB NUMBER  
**240729**

TITLE  
**Lodges, Gates and Railings**

Proposed Elevations

DATE  
**22/03/2021**

SCALE  
**A3L**

LAST REVISED  
**22/03/2021**

SUBMITTAL/ISSUANCE FOR USE

REV  
**P0.01 S0 - Work In Progress**

DRAWING NAME  
**240729-PUR-02-ZZ-DR-A-2202**

DATE  
**22/03/2021**

SCALE  
**A3L**

LAST REVISED  
**22/03/2021**

SUBMITTAL/ISSUANCE FOR USE

REV  
**P0.01 S0 - Work In Progress**

DRAWING NAME  
**240729-PUR-02-ZZ-DR-A-2202**

